

# LK-25-90-0.8-10-1



**Product Features:**

- Deep focal length
- Uniform illumination
- Various fan angles

**Applications:**

- Industry inspection
- 3D Measurement

**Specifications**

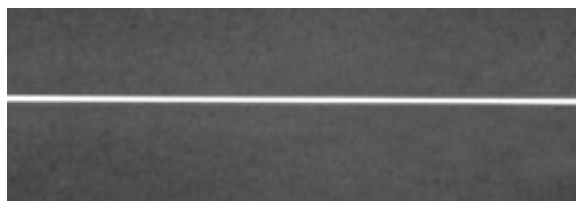
Optical	
Line Width, mm	10@0.8m
Fan Angle, degree	90°
Uniformity, %*	>70% (within 90% fan angle)
Working Distance, m	0.8
Outer Dimension	
Total Length, mm	86.8
Cylinder Diameter, mm	42
Other Parameters	
Connector	SMA905
Numerical Aperture, NA	<0.22
Working Temperature, °C	-20~60

\* Definition of line beam uniformity:

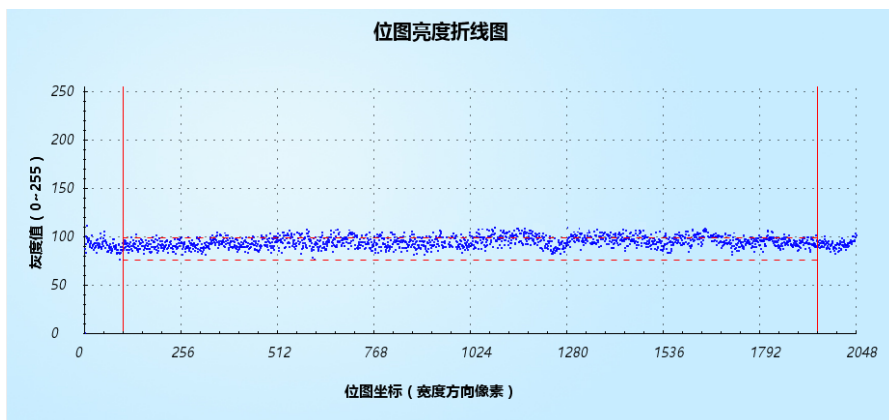
$$\frac{I_{\text{average}} - I_{\text{min (or max)}}}{I_{\text{average}}} \times 100\%$$

# LK-25-90-0.8-10-1

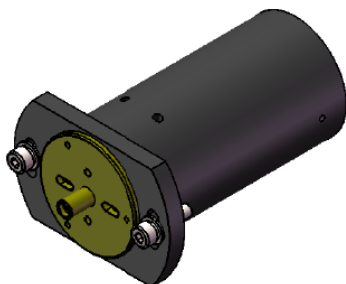
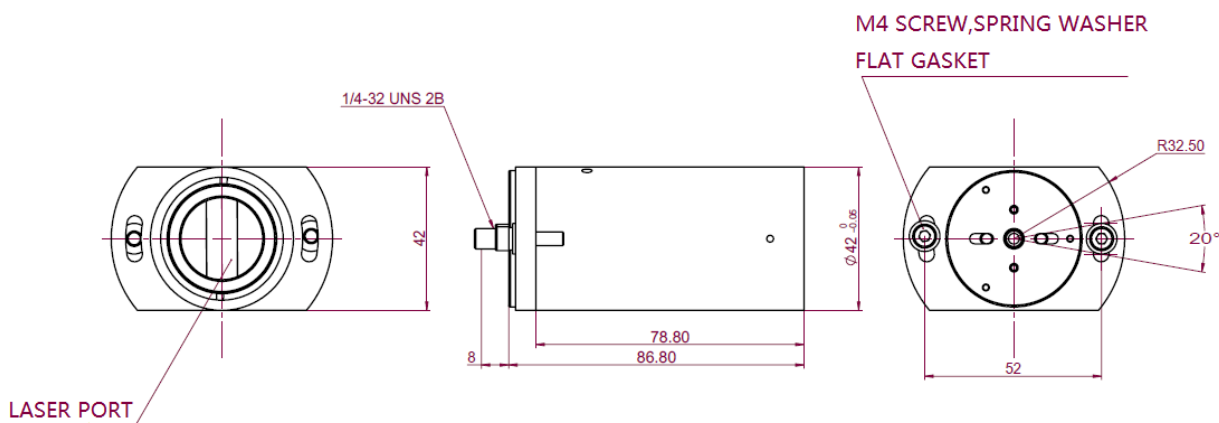
## Shape of Laser Beam



## Uniformity of Brightness



## Dimension (mm)



### CAUTION:

- Do not expose eyes and skin directly to laser radiation when use.
- The product must not be violently shocked in transportation and storage to prevent it from damaging.
- Inspect optical window to make sure it is clean before using. Nitrogen blow or soft tissue wipe to clean if necessary.
- Must be used in clean environment.