

LS-808-CW30-400-DC24-TEC



Product Features:

- Easy to use
- Reliable
- Uniform illumination

Applications:

- Object illumination
- Measurement
- Research

Specifications

| Optical | |
|----------------------------|---------------------------------|
| Output Power, W | 30 |
| Central Wavelength, nm | 808 |
| Wavelength Tolerance, nm | ±5 |
| Fan Angle, degree | 0~120° Customized with the lens |
| Line Width, mm | Customized with the lens |
| Uniformity, %* | >80% (within 90% fan angle) |
| Fiber Parameters | |
| Connector | SMA905 |
| Fiber Length, m | Customized |
| Numerical Aperture, NA | 0.22 |
| GI Fiber Core Diameter, um | 400 |
| Electrical | |
| Voltage, V | DC 24 |
| Peak Power Consumption, W | ≤160 |
| 4 Pins Connector | |
| 1(red) | DC 24V |
| 2(black) | GND |
| 3(green) | TTL + |
| 4(blue) | TTL GND |
| Others | |
| Working Temperature, °C | -40~50 |
| Storage Temperature, °C | -60~70 |
| Ambient Humidity, %RH | ≤80 |
| Cooling | TEC |
| Outer Dimension, mm | 212×86×134 |
| Weight, Kg | 2.25 |

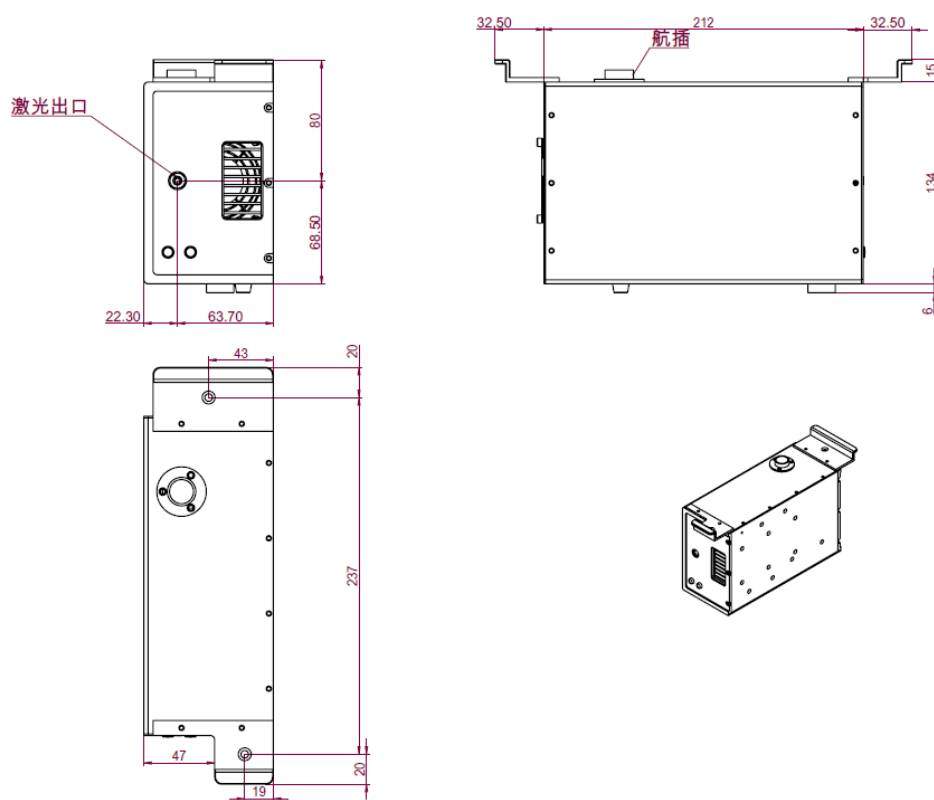
* Definition of linear beam uniformity: $\frac{I_{\text{average}} - I_{\text{min (or max)}}}{I_{\text{average}}} \times 100\%$

LS-808-CW30-400-DC24-TEC

Shape Of Laser Beam



Dimension (mm)



CAUTION:

- The product must not be heavily pressed, hard shocked and water soaked in transportation, storage and assembly in order to avoid the product from damaging.
- Do not expose eye and skin directly to laser radiation.
- Use the product at defined current and power.
- Working environment must be well ventilated.